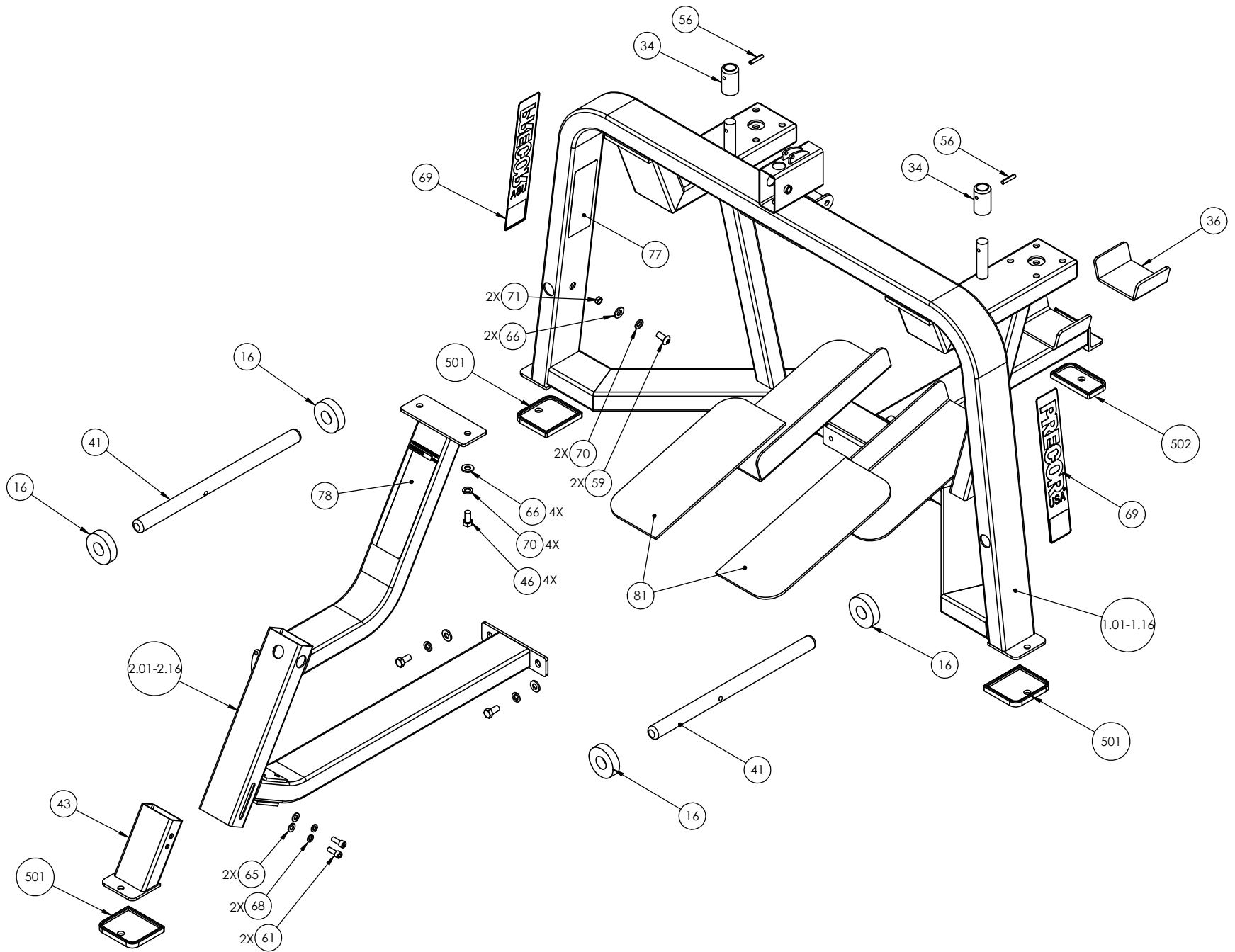
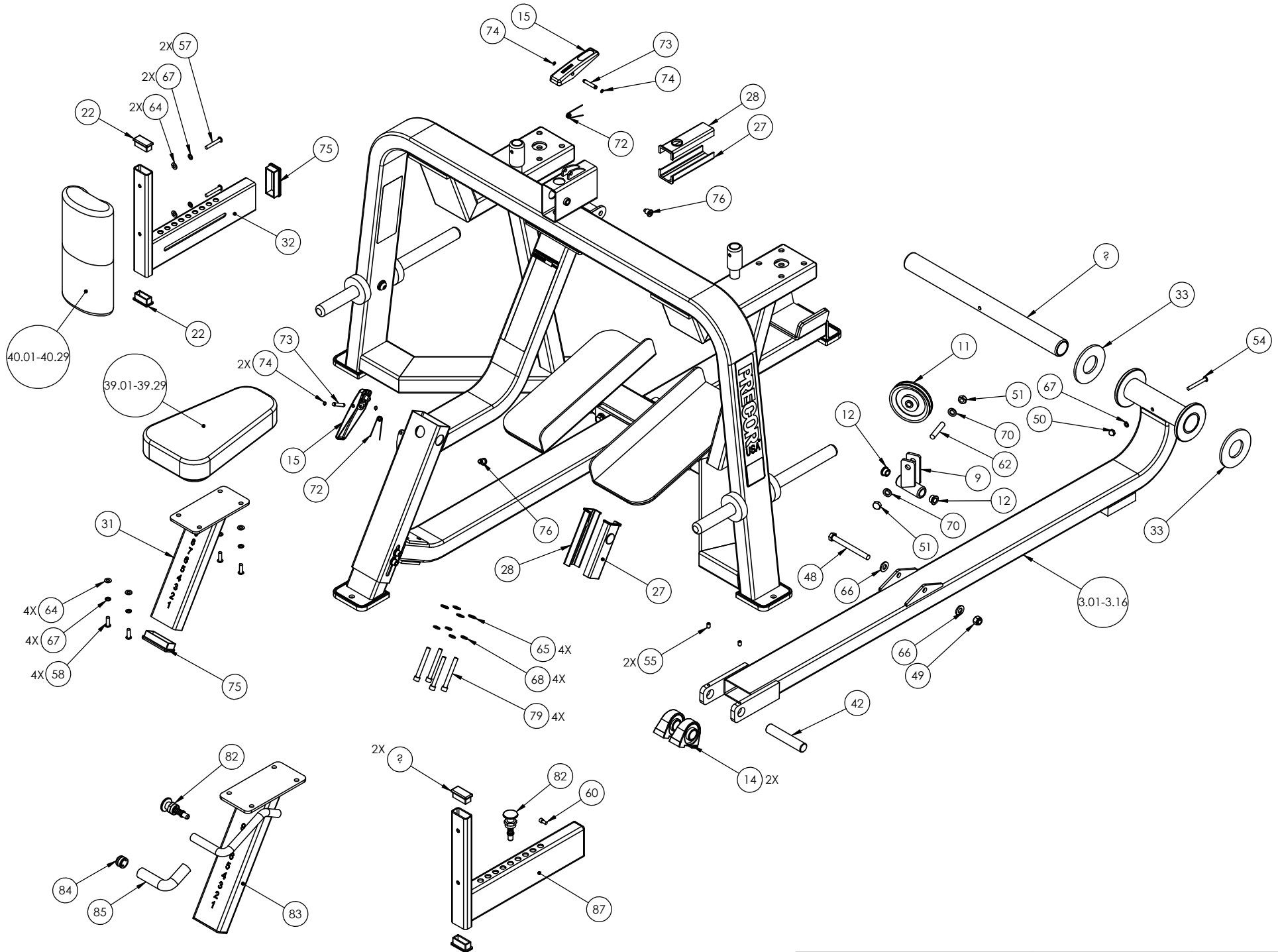


FLT531	P/N : CW31570-102	SUBREV : E
DRAWN BY : MAH	DATE : 09.17.10	SHEET 1 OF 4



FLT531	P/N : CW31570-102	SUBREV : E
DRAWN BY : MAH	DATE : 09.17.10	SHEET 2 OF 4



**SEAT SUPPORT PRIOR
TO 6/23/2005**

**CHEST SUPPORT PRIOR
TO 6/23/2005**

FLT531	P/N : CW31570-102	SUBREV : E
DRAWN BY : MAH	DATE : 09.17.10	SHEET 3 OF 4

531 Flite Row

Part Number	Description	Bubble Number
CW531SA1-211	ASSY,FRAME,MAIN,FLT531,SKY WHITE	1.01
CW531SA1-212	ASSY,FRAME,MAIN,FLT531,SKY WHITE	1.01
CW531SA1-221	ASSY,FRAME,MAIN,FLT531,BLACK	1.02
CW531SA1-231	ASSY,FRAME,MAIN,FLT531,RED	1.03
CW531SA1-241	ASSY,FRAME,MAIN,FLT531,PLAT SPRKLE	1.04
CW531SA1-251	ASSY,FRAME,MAIN,FLT531,SILVER	1.05
CW531SA1-261	ASSY,FRAME,MAIN,FLT531,BLUE	1.06
CW531SA1-271	ASSY,FRAME,MAIN,FLT531,CHARCOAL	1.07
CW531SA1-281	ASSY,FRAME,MAIN,FLT531,CATH GRAY	1.08
CW531SA1-291	ASSY,FRAME,MAIN,FLT531,SILVER VIEN	1.09
CW531SA1-312	ASSY,FRAME,MAIN,FLT531,STONE HG	1.11
CW531SA1-321	ASSY,FRAME,MAIN,FLT531,TITANIUM HG	1.12
CW531SA1-322	ASSY,FRAME,MAIN,FLT531,TITANIUM HG	1.12
CW531SA1-331	ASSY,FRAME,MAIN,FLT531,WHITE GLOSS	1.13
CW531SA1-341	ASSY,FRAME,MAIN,FLT531,BLACK ONYX	1.14
CW531SA1-351	ASSY,FRAME,MAIN,FLT531,LT. BRONZE	1.15
CW531SA1-361	ASSY,FRAME,MAIN,FLT531,SAPPHIRE BL	1.16
CW531SA4-211	ASSY,FRAME,SEAT,FLT531,SKY WHITE	2.01
CW531SA4-212	ASSY,FRAME,SEAT,FLT531,SKY WHITE	2.01
CW531SA4-221	ASSY,FRAME,SEAT,FLT531,BLACK	2.02
CW531SA4-231	ASSY,FRAME,SEAT,FLT531,RED	2.03
CW531SA4-241	ASSY,FRAME,SEAT,FLT531,PLATINUM SPR	2.04
CW531SA4-251	ASSY,FRAME,SEAT,FLT531,SILVER	2.05
CW531SA4-261	ASSY,FRAME,SEAT,FLT531,BLUE	2.06
CW531SA4-271	ASSY,FRAME,SEAT,FLT531,CHARCOAL	2.07
CW531SA4-281	ASSY,FRAME,SEAT,FLT531,CATHEDRAL GR	2.08
CW531SA4-291	ASSY,FRAME,SEAT,FLT531,SILVER VIEN	2.09
CW531SA4-312	ASSY,FRAME,SEAT,FLT531,STONE HG	2.11
CW531SA4-321	ASSY,FRAME,SEAT,FLT531,TITANIUM HG	2.12
CW531SA4-322	ASSY,FRAME,SEAT,FLT531,TITANIUM HG	2.12
CW531SA4-331	ASSY,FRAME,SEAT,FLT531,WHITE GLOSS	2.13
CW531SA4-341	ASSY,FRAME,SEAT,FLT531,BLACK ONYX	2.14
CW531SA4-351	ASSY,FRAME,SEAT,FLT531,LIGHT BRONZE	2.15
CW531SA4-361	ASSY,FRAME,SEAT,FLT531,SAPPHIRE BLU	2.16
CW531SA5-211	ASSY,WEIGHT ARM,FLT531,SKY WHITE	3.01
CW531SA5-221	ASSY,WEIGHT ARM,FLT531,BLACK	3.02
CW531SA5-231	ASSY,WEIGHT ARM,FLT531,RED	3.03
CW531SA5-241	ASSY,WEIGHT ARM,FLT531,PLATINUM SPR	3.04
CW531SA5-251	ASSY,WEIGHT ARM,FLT531,SILVER	3.05
CW531SA5-261	ASSY,WEIGHT ARM,FLT531,BLUE	3.06
CW531SA5-271	ASSY,WEIGHT ARM,FLT531,CHARCOAL	3.07
CW531SA5-281	ASSY,WEIGHT ARM,FLT531,CATHEDRAL GR	3.08
CW531SA5-291	ASSY,WEIGHT ARM,FLT531,SILVER VIEN	3.09
CW531SA5-311	ASSY,WEIGHT ARM,FLT531,STONE HG	3.11
CW531SA5-321	ASSY,WEIGHT ARM,FLT531,TITANIUM HG	3.12
CW531SA5-331	ASSY,WEIGHT ARM,FLT531,WHITE GLOSS	3.13
CW531SA5-341	ASSY,WEIGHT ARM,FLT531,BLACK ONYX	3.14
CW531SA5-351	ASSY,WEIGHT ARM,FLT531,LIGHT BRONZE	3.15

CW531SA5-361	ASSY,WEIGHT ARM,FLT531,SAPPHIRE BLU	3.16
CW531SA6-211	ASSY,ARM,RIGHT,FLT531,SKY WHITE	4.01
CW531SA6-221	ASSY,ARM,RIGHT,FLT531,BLACK	4.02
CW531SA6-231	ASSY,ARM,RIGHT,FLT531,RED	4.03
CW531SA6-241	ASSY,ARM,RIGHT,FLT531,PLAT SPKLE	4.04
CW531SA6-251	ASSY,ARM,RIGHT,FLT531,SILVER	4.05
CW531SA6-261	ASSY,ARM,RIGHT,FLT531,BLUE	4.06
CW531SA6-271	ASSY,ARM,RIGHT,FLT531,CHARCOAL	4.07
CW531SA6-281	ASSY,ARM,RIGHT,FLT531,CATH GRY	4.08
CW531SA6-291	ASSY,ARM,RIGHT,FLT531,SILVER VIEN	4.09
CW531SA6-311	ASSY,ARM,RIGHT,FLT531,STONE HG	4.11
CW531SA6-321	ASSY,ARM,RIGHT,FLT531,TITANIUM HG	4.12
CW531SA6-331	ASSY,ARM,RIGHT,FLT531,WHITE GLOSS	4.13
CW531SA6-341	ASSY,ARM,RIGHT,FLT531,BLACK ONYX	4.14
CW531SA6-351	ASSY,ARM,RIGHT,FLT531,LIGHT BRONZE	4.15
CW531SA6-361	ASSY,ARM,RIGHT,FLT531,SAPPHIRE BLUE	4.16
CW531SA7-211	ASSY,ARM,LEFT,FLT531,SKY WHITE	5.01
CW531SA7-221	ASSY,ARM,LEFT,FLT531,BLACK	5.02
CW531SA7-321	ASSY,ARM,LEFT,FLT531,TITANIUM HG	5.12
CW531SA8-211	ASSY,HANDLE,RIGHT,FLT531,SKY WHITE	6.01
CW531SA8-221	ASSY,HANDLE,RIGHT,FLT531,BLACK	6.02
CW531SA8-231	ASSY,HANDLE,RIGHT,FLT531,RED	6.03
CW531SA8-241	ASSY,HANDLE,RIGHT,FLT531,PLAT SPKLE	6.04
CW531SA8-251	ASSY,HANDLE,RIGHT,FLT531,SILVER	6.05
CW531SA8-261	ASSY,HANDLE,RIGHT,FLT531,BLUE	6.06
CW531SA8-271	ASSY,HANDLE,RIGHT,FLT531,CHARCOAL	6.07
CW531SA8-281	ASSY,HANDLE,RIGHT,FLT531,CATH GRY	6.08
CW531SA8-291	ASSY,HANDLE,RIGHT,FLT531,SILVER VIE	6.09
CW531SA8-321	ASSY,HANDLE,RIGHT,FLT531,TITANIUM H	6.12
CW531SA8-331	ASSY,HANDLE,RIGHT,FLT531,WHITE GLOS	6.13
CW531SA8-341	ASSY,HANDLE,RIGHT,FLT531,BLACK ONYX	6.14
CW531SA8-351	ASSY,HANDLE,RIGHT,FLT531,LIGHT BRON	6.15
CW531SA8-361	ASSY,HANDLE,RIGHT,FLT531,SAPPHIRE B	6.16
CW531SA9-211	ASSY,HANDLE,LEFT,FLT531,SKY WHITE	7.01
CW531SA9-221	ASSY,HANDLE,LEFT,FLT531,BLACK	7.02
CW531SA9-231	ASSY,HANDLE,LEFT,FLT531,RED	7.03
CW531SA9-241	ASSY,HANDLE,LEFT,FLT531,PLAT SPKLE	7.04
CW531SA9-251	ASSY,HANDLE,LEFT,FLT531,SILVER	7.05
CW531SA9-261	ASSY,HANDLE,LEFT,FLT531,BLUE	7.06
CW531SA9-271	ASSY,HANDLE,LEFT,FLT531,CHARCOAL	7.07
CW531SA9-281	ASSY,HANDLE,LEFT,FLT531,CATH GRY	7.08
CW531SA9-291	ASSY,HANDLE,LEFT,FLT531,SILVER VIEN	7.09
CW531SA9-311	ASSY,HANDLE,LEFT,FLT531,STONE HG	7.11
CW531SA9-321	ASSY,HANDLE,LEFT,FLT531,TITANIUM HG	7.12
CW531SA9-331	ASSY,HANDLE,LEFT,FLT531,WHITE GLOSS	7.13
CW531SA9-341	ASSY,HANDLE,LEFT,FLT531,BLACK ONYX	7.14
CW531SA9-351	ASSY,HANDLE,LEFT,FLT531,LIGHT BRONZ	7.15
CW531SA9-361	ASSY,HANDLE,LEFT,FLT531,SAPPHIRE BL	7.16
CW30068-101	LABEL,INSTRUCTION,FLT531	10
CWAC1009-101	PULLEY, 4 1/2 DIA X 1/2 ID	11
CW10043-132	BUSHING, BRONZE, 1/2" ID X 3/4" OD	12
CW10043-134	BUSHING, BRONZE, 1" ID X 1 1/4" OD	13

CW12406-101	PILLOW BLOCK, BEARING, 2 BOLT	14
CW32460-221	ASSY, RATCHETING LEVER, BLACK	15
CW12402-102	BUMPER, ID 1.248 , BLK RUBBER	16
CW12575-101	MOULDED BUMPON, BLACK, 31.75MM SQ (17
CW34822-101	LABEL, "ASSEMBLED IN THE USA"	18
CWAC1161-101	LABEL, ROUND, "MADE IN USA"	18
CW12407-101	PILLOW BLOCK, BEARING, FLANGE, 4 BO	19
CWAC1170-101	LABEL, "FLITE", 1 3/4 X 6 1/4	20
CWAC1171-101	LABEL, "FLITE", 3 1/2 X 12 3/4	21
CWAC1183-101	LABEL, WARNING, SERIOUS INJURY	23
CWAC1186-101	LABEL, FLITE SERIAL NUMBER	24
CWGR4613-500	GRIP, RUBBER, 1.00" OD HANDLE, 13.5	26
CWAC1236-104	GUIDE INSERT, PLASTIC WITH HOLE, BL	28
CWAC218-901	HANDLE END CAP W/SET SCREWS, DIA 1"	29
CW32218-712	ASSEMBLY, BACKPAD ADJUSTMENT, 9 HOL	31
CW32210-711	ASSEMBLY, CHEST ADJUSTMENT, 9 HOLE,	32
CWCP1002-102	CUT PIECE, CREPE, 1/4 THICK, 2.00 I	33
CWCP1017-101	CUT PIECE, UHMW, 1 1/2 OD X 1 ID X	34
CW10340-200	TUBE, VINYL, 5/8 OD X 3/8 ID X 2.0	35
CW30013-208	CUT PIECE, CREPE, 1/4 THICK, 4.00 X	36
CWPD1207B-101	PAD,5X9X14.5,4HOLES,W/BP,BLACK	39.01
CWPD1207B-102	PAD,5X9X14.5,4HOLES,W/BP,RYL BL	39.02
CWPD1207B-103	PAD,5X9X14.5,4HOLES,W/BP,DVE GRY	39.03
CWPD1207B-104	PAD,5X9X14.5,4HOLES,W/BP,CROCUS	39.04
CWPD1207B-105	PAD,5X9X14.5,4HOLES,W/BP,GROTTO	39.05
CWPD1207B-107	PAD,5X9X14.5,4HOLES,W/BP,RED	39.07
CWPD1207B-108	PAD,5X9X14.5,4HOLES,W/BP,CHN GRN	39.08
CWPD1207B-109	PAD,5X9X14.5,4HOLES,W/BP,TURQSE	39.09
CWPD1207B-111	PAD,5X9X14.5,4HOLES,W/BP,PLUM	39.11
CWPD1207B-113	PAD,5X9X14.5,4HOLES,W/BP,SPC BLUE	39.13
CWPD1207B-118	PAD,5X9X14.5,4HOLES,W/BP,IMPRL BL	39.18
CWPD1207B-119	PAD,5X9X14.5,4HOLES,W/BP,YEW GRN	39.19
CWPD1207B-120	PAD,5X9X14.5,4HOLES,W/BP,DSTY JD	39.2
CWPD1207B-121	PAD,5X9X14.5,4HOLES,W/BP,TER COT	39.21
CWPD1207B-122	PAD,5X9X14.5,4HOLES,W/BP,PAPRIKA	39.22
CWPD1207B-123	PAD,5X9X14.5,4HLS,W/BP,ASH LTHR	39.23
CWPD1207B-125	PAD,5X9X14.5,4HLS,W/BP,CHARCOAL LTH	39.25
CWPD1207B-126	PAD,5X9X14.5,4HLS,W/BP,HUNTER LTHR	39.26
CWPD1207B-127	PAD,5X9X14.5,4HLS,W/BP,MOSS LTHR	39.27
CWPD1207B-128	PAD,5X9X14.5,4HLS,W/BP,SPICE LTHR	39.28
CWPD1207B-129	PAD,5X9X14.5,4HLS,W/BP,TOMATO LTH	39.29
CWPD1506J-101	PAD,4X12.5,2HOLES,W/BP,BLACK,W/SLIP	40.01
CWPD1506J-102	PAD,4X12.5,2HOLES,W/BP,RYL BL,W/SLI	40.02
CWPD1506J-103	PAD,4X12.5,2HOLES,W/BP,DVE GRY,W/SL	40.03
CWPD1506J-104	PAD,4X12.5,2HOLES,W/BP,CROCUS,W/SLI	40.04
CWPD1506J-105	PAD,4X12.5,2HOLES,W/BP,GROTTO,W/SLI	40.05
CWPD1506J-107	PAD,4X12.5,2HOLES,W/BP,RED,W/SLIP	40.07
CWPD1506J-108	PAD,4X12.5,2HOLES,W/BP,CHN GRN,W/SL	40.08
CWPD1506J-109	PAD,4X12.5,2HOLES,W/BP,TURQSE,W/SLI	40.09
CWPD1506J-110	PAD,4X12.5,2HOLES,W/BP,RASP,W/SLIP	40.1
CWPD1506J-111	PAD,4X12.5,2HOLES,W/BP,PLUM,W/SLIP	40.11
CWPD1506J-112	PAD,4X12.5,2HOLES,W/BP,REGIMENT,W/S	40.12

CWPD1506J-113	PAD,4X12.5,2HOLES,W/BP,SPC BLUE,W/S	40.13
CWPD1506J-115	PAD,4X12.5,2HOLES,W/BP,BLK LTHR,W/S	40.15
CWPD1506J-116	PAD,4X12.5,2HOLES,W/BP,NVBL LTH,W/S	40.16
CWPD1506J-117	PAD,84X12.5,2HOLES,W/BP,PUTTY,W/SLI	40.17
CWPD1506J-118	PAD,84X12.5,2HOLES,W/BP,IMPRL BL,W/	40.18
CWPD1506J-119	PAD,84X12.5,2HOLES,W/BP,YEW GRN,W/S	40.19
CWPD1506J-120	PAD,84X12.5,2HOLES,W/BP,DSTY JD,W/S	40.2
CWPD1506J-121	PAD,84X12.5,2HOLES,W/BP,TER COT,W/S	40.21
CWPD1506J-122	PAD,84X12.5,2HOLES,W/BP,PAPRIKA,W/S	40.22
CWPD1506J-123	PAD,84X12.5,2HLS,W/BP,ASH LTHR,W/SL	40.23
CWPD1506J-124	PAD,84X12.5,2HLS,W/BP,CERULEAN LTHR	40.24
CWPD1506J-125	PAD,84X12.5,2HLS,W/BP,CHARCOAL LTHR	40.25
CWPD1506J-126	PAD,84X12.5,2HLS,W/BP,HUNTER LTHR,W	40.26
CWPD1506J-127	PAD,84X12.5,2HLS,W/BP,MOSS LTHR,W/S	40.27
CWPD1506J-128	PAD,84X12.5,2HLS,W/BP,SPICE LTHR,W/	40.28
CWPD1506J-129	PAD,84X12.5,2HLS,W/BP,TOMATO LTHR,W	40.29
CWPF1421-741	BAR,STEEL RND, DIA 1 1/4" X (20), 1	41
CWSA2033-731	ASSY, ADJ, LEVELING FOOT,30 DEGREE,	43
CWSA2033-732	ASSY, ADJ. LEVELING FOOT, 30 DEG, B	43
CWSA2051-741	ASSY, WEIGHT HOLDER, 22",CLR ZN	44
CWHCYN044-375	SCREW, HEX HEAD , BLK XYLEA	45
CWHCYN050-100	SCREW,HEX HEAD,BLK XYLAN,1/2-13 X 1	46
CWHCYN050-150	SCREW, HEX HEAD, BLK XYLAN, 1/2-13	47
CWHCYN050-500	SCREW, HEX HEAD, BLK XYLAN, 1/2-13	48
CWKDYN050-059	LOCKNUT, NYLON INSERT, FULL, UNC, 1	49
CWKADLN031-053	NUT, ACORN, 5/16-18	50
CWKADLN050-081	NUT, ACORN, 1/2-13	51
CWKMYN044-038	NUT, HEX, UNC, 7/16-14, BLK XYLAN	52
CWTAYN031-250	SCREW, BUTTON HEAD, BLK XYLAN, 5/1	54
CWEANN031-050	SCREW,SET,SCKT,CUP POINT,5/16-18 X	55
CWLDNN031-150	SLOTTED PIN SPRING, DIA. 5/16 X 1 1	56
CWTAYN031-200	SCREW, BUTTON HEAD, BLK XYLAN, 5/16	57
CWTAYN031-100	SCREW, BUTTON HEAD, BLK XYLAN, 5/16	58
CWTAYN050-100	SCREW, BUTTON HEAD, BLK XYLAN, 1/2	59
CWCAYN038-100	SCREW, SOCKET HEAD, BLK XYLAN, 3/	61
CWBFNN050-250	STUD, 1/2-13 X 2 1/2	62
CWWABKN031-007	WASHER, FENDER,BLK ZN, 5/16 ID X 1	63
CWWBKN031-007	WASHER, FLAT, TYPE A, SAE, 5/16 ID	64
CWWBKN038-007	WASHER, FLAT, TYPE A, SAE, 3/8 ID	65
CWWBKN050-010	WASHER, FLAT, TYPE A, SAE, 1/2 ID X	66
CWWALYN031-008	WASHER, SPLIT, 5/16 ID, BL	67
CWWALYN038-009	WASHER, SPLIT, 3/8 ID, BLK XYLAN	68
CW31756-101	LABEL, PRECOR USA ICARIAN LINE	69
CWWALYN044-011	WASHER, SPLIT, 7/16 ID, BLK XYLAN	69
CWWALYN050-013	WASHER, SPLIT, 1/2 ID, BLK XYLAN	70
CWFA1124-901	SPACER, STEEL,5/8 OD X 1/2 ID X 1/4	71
CW12634-101	SPRING, TORSION 90 DEG X 0.484 X 0.	72
CWCAYN038-325	SCREW, SOCKET HEAD, BLK XYLAN, 3/	72
CW31770-742	LATCH PIVOTING PIN, CLR ZN	73
CWAMNN028-003	RING, RETAINING, 2-TURN, SPIRAL, SS	74
CW30068-101	LABEL,INSTRUCTION,FLT531	78
CWTAYN031-050	SCREW, BUTTON HEAD, BLK XYLAN, 5/16	80

CWCLHH095-000	ASSY, CABLE, FLT531	200
CWAC1177-101	FLOOR PROTECTOR, RUBBER, 4.563 X 4.	501
CWAC1179-101	FLOOR PROTECTOR, RUBBER, 4.813 X 2.	502